

FEATURES AND SPECIFICATIONS

Features and Benefits

- High current
- Fully polarized
- Positive locks
- Low engagement force
- Wire-to-board
- Metal board retention clip
- Surface Mount Compatible

Reference Information

Product Specification: PS-42815-0001
 Packaging: Tray
 UL File No.: E29179
 CSA File No.: LR19980
 TUV License No.: R9751144
 Mates With: 42816 receptacle housing
 Designed In: Millimeters

Electrical

Voltage: 600V
 Current: 48.0A max.*
 Contact Resistance: 1.5mΩ max.
 Dielectric Withstanding Voltage: 2200V
 Insulation Resistance: 1000 MΩ min.

Mechanical

Insertion Force to PCB: 19.6N max.
 Normal Force: 1.96N min.
 Durability: 30 cycles

Physical

Housing: Glass-filled, 4/6 nylon, UL 94V-0
 Contact: Copper Alloy
 Plating: Tin/Lead over Nickel
 Operating Temperature: -40 to +105°C
 PCB Thickness: 1.57, 2.36, 3.18, or 6.35mm
 (.062, .093, .125, or .250")

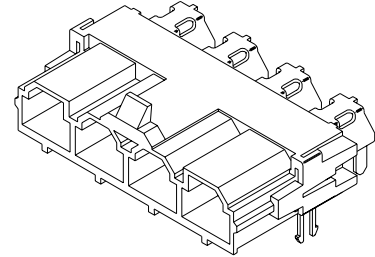
* Depending on circuit size, wire gauge and PCB. Please refer to product specification.



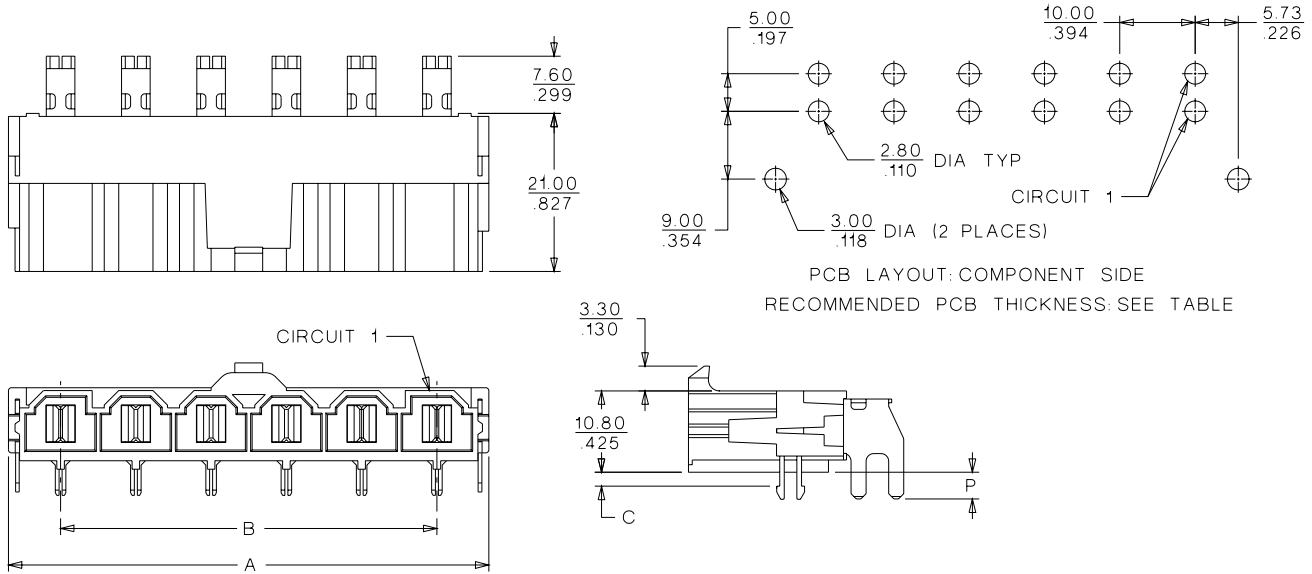
10.00mm (.393") Pitch Mini-Fit, Sr.TM Header

42820

Right Angle, Single Row Metal Clip Mount



CATALOG DRAWING (FOR REFERENCE ONLY)



ORDERING INFORMATION AND DIMENSIONS

Circuits	Order No.	PCB Thickness	Dimension			
			A	B	C	P
2	42820-2212	1.57 (.062)	23.82 (.937)	10.00 (.393)	1.80 (.070)	3.50 (.137)
	42820-2222	2.36 (.093)			2.60 (.102)	5.10 (.200)
	42820-2232	3.18 (.125)			3.40 (.133)	5.10 (.200)
	42820-2242	6.35 (.250)			3.40 (.133)	8.30 (.327)
3	42820-3212	1.57 (.062)	33.82 (1.331)	20.00 (.787)	1.80 (.070)	3.50 (.137)
	42820-3222	2.36 (.093)			2.60 (.102)	5.10 (.200)
	42820-3232	3.18 (.125)			3.40 (.133)	5.10 (.200)
	42820-3242	6.35 (.250)			3.40 (.133)	8.30 (.327)
4	42820-4212	1.57 (.062)	43.82 (1.725)	30.00 (1.181)	1.80 (.070)	3.50 (.137)
	42820-4222	2.36 (.093)			2.60 (.102)	5.10 (.200)
	42820-4232	3.18 (.125)			3.40 (.133)	5.10 (.200)
	42820-4242	6.35 (.250)			3.40 (.133)	8.30 (.327)

Circuits	Order No.	PCB Thickness	Dimension			
			A	B	C	P
5	42820-5212	1.57 (.062)	53.82 (2.118)	40.00 (1.574)	1.80 (.070)	3.50 (.137)
	42820-5222	2.36 (.093)			2.60 (.102)	5.10 (.200)
	42820-5232	3.18 (.125)			3.40 (.133)	5.10 (.200)
	42820-5242	6.35 (.250)			3.40 (.133)	8.30 (.327)
6	42820-6212	1.57 (.062)	63.82 (2.512)	50.00 (1.968)	1.80 (.070)	3.50 (.137)
	42820-6222	2.36 (.093)			2.60 (.102)	5.10 (.200)
	42820-6232	3.18 (.125)			3.40 (.133)	5.10 (.200)
	42820-6242	6.35 (.250)			3.40 (.133)	8.30 (.327)